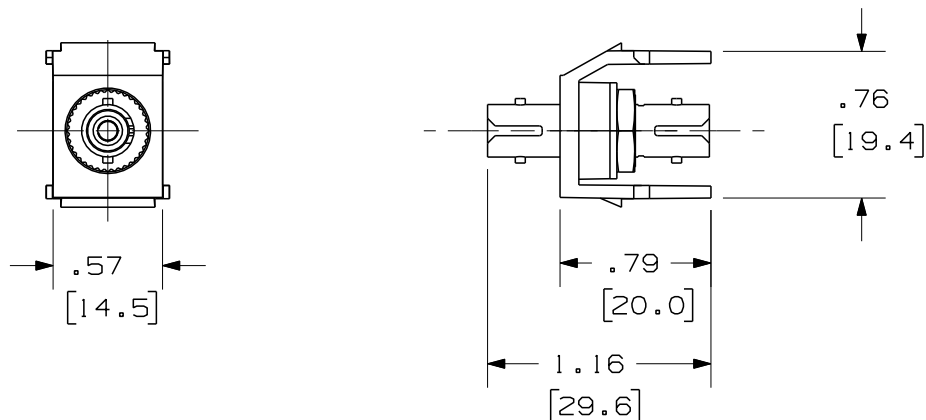
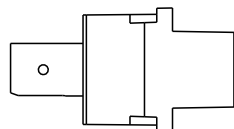


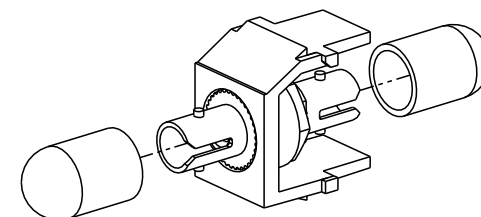
THIS COPY IS PROVIDED ON A RESTRICTED BASIS AND IS NOT TO BE USED IN ANY WAY DETRIMENTAL TO THE INTERESTS OF PANDUIT CORP.


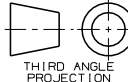
PANDUIT PART NUMBER	MODULE BASE COLOR
NKSTM BL	BLACK
NKSTM EI	ELECTRIC IVORY
NKSTM IG	INTERNATIONAL GREY
NKSTM IW	INTERNATIONAL WHITE
NKSTM WH	WHITE



NOTES:

1. SEE CURRENT CATALOG FOR ADDITIONAL PART NUMBER SUFFIXES TO INDICATE COLOR AND /OR PACKAGE QUANTITY.
2. SEE CATALOG FOR COMPLETE LIST OF PARTS APPLICABLE FOR USE WITH THIS PART.
3. ST ADAPTER ALIGNMENT SLEEVE MATERIAL IS PHOS. BRONZE.
4. DIMENSIONS IN BRACKETS ARE METRIC [mm].
5. ADAPTER SLOT ORIENTATION MAY VARY.



										NETKEY FIBER OPTIC ST ADAPTER MODULE CUSTOMER DRAWING			
										 PANDUIT TM CORP. TINLEY PARK, ILL 60477	ALL DIMENSIONS ARE GIVEN IN INCHES UNLESS OTHERWISE SPECIFIED. DIMENSIONAL TOLERANCES ARE: (.X) (.XXX) ± .010 (.0.3) (.XX) ± .03 (0.8) ANGLES		DRAWING FILENAME D37261AC_DC_01A.prt
											 THIRD ANGLE PROJECTION	SCALE NONE	
										DRAWN BY MC	REVIEW DRAWING NUMBERS	PART NO. NKSTM**	
										DATE 02-22-06		DRAWING NO. 37261-20	SIZE A
REV	DATE	BY	CHK	DESCRIPTION	ECN	R	CUST	SUP	OTH	CHK'D			
R	02-23-06	MC		RELEASED TO PRODUCTION	37261-20								